



ISSN (Print) : 2320 – 3765
ISSN (Online): 2278 – 8875

International Journal of Advanced Research in Electrical, Electronics and Instrumentation Engineering

(A High Impact Factor, Monthly, Peer Reviewed Journal)

Website: www.ijareeie.com

Vol. 7, Issue 2, February 2018

Detecting and Monitoring of Climate Conditions by Using “Arduino UNO Microcontroller” with MATLAB

N.J.Krishnakumar¹, Sumangala.S.Jambli², N.Saravanan³, H L Dinakar⁴

Associate Professor, Department of ECE, SEA college of Engineering, Bengaluru, India¹

Assistant Professor, Department of EEE, ACS college of Engineering, Bengaluru, India²

Associate Professor, Department of EEE, ACS college of Engineering, Bengaluru, India³

Associate Professor, Department of EEE, ACS college of Engineering, Bengaluru, India⁴

ABSTRACT: As the speedy of Internet of Things (IoT) is rising and is habituate for remote checking of the encompassing limits and different stuffs with the utilization of sensors that familiarize for 'remote detecting of ongoing information' and move them into the desirable frame and help to send the detected information over the system cloud by means of 'web Connection'. This work depicts a Sensing and Monitoring (SM) System to detect, screen, and trade the quick natural information between the IoT cloud administrations. The IoT 'Thingspeak' web benefit is a sort of liberal API benefit that is used as a part of this venture which go about as a host for the assortment of sensors to imagine the detected information at cloud level. This work likewise emphasizes the part of light sensor, DHT22 sensor, MQ-135 sensor, BMP-180 sensor, Rain sensor that are interfaced and working under the field of ongoing condition.

KEYWORDS: IoT, Thingspeak, SM, light sensor, DHT22 sensor, MQ-135 sensor, BMP-180 sensor, Rain sensor

I. INTRODUCTION

Today, those expanded request from claiming administration through the web required the information gathering Also trade done effective way. In place should obtain the productive IoT achievement to an application; the best possible sensing Also screening framework are vital. For the most part a sensing unit will be created for different sensors like temperature, humidity, gas and so on. At the same time a following unit made for current and voltage parameters. Those IoT need made an upset throughout the globe Furthermore fascinatingly it needs turn into essential analytics and only our exists [01]. Whether we expect, an day will turn up At the Facebook. Furthermore twitter might need their uniqueness like Facebook about things and twitter about things.

The day need landed that those legislature parts would likewise embrace the IoT due to its gigantic importance done every what's more each territory [02, 03]. This engineering headway could make more occupation scopes furthermore investigate thoughts. Those information focus ability will a chance to be 65% private. The headway done information collection, analysis, What's more association might a chance to be attained Eventually Tom's perusing checking also sensing. Besides performs the data taking care of and Moreover majority of the data transportation [05, 06]. That blend of identifying Also checking part will be superior instrument flying for propelled data gathering [07]. The correspondence between the machines should machine with web need given gadget coded those gigantic number for gadget association and robotics majority of the data exchange [08]. Those unstoppable augment in the electronic gadgets obliges the new advanced connectivity and likewise those oversaw economy rules [09]

The possibility tending to What's more ID number for units number needs correct scalable, adaptable What's more dependable framework to worth of effort "around the commercial enterprises What's more shoppers. The blending about sensing Furthermore observing aides done information gathering starting with the machines Furthermore humans; check them effectively. Those information privacy, proprietorship Furthermore administration procurement are tumbles under advanced mobile economy. The sensing what's more screening for information empowers those clients should make exceptional ongoing choice [10, 11]. The Mammon extension about “Internet of

International Journal of Advanced Research in Electrical, Electronics and Instrumentation Engineering

(A High Impact Factor, Monthly, Peer Reviewed Journal)

Website: www.ijareeie.com

Vol. 7, Issue 2, February 2018

Things” is setting a pattern to what's to come. Also the competitive costs about commonplace IoT segments are making space for the people with advance new plans What's more items at home. IoT plan considerations, imperatives What's more interfacing between those physical reality and the gadgets are encircled Eventually Tom's perusing settling on An exchange-off between fittings What's more product.

II. BLOCK DIAGRAM

Fig1. Indicates recommended square outline to the project Thingspeak based Sensing-Monitoring framework that uncover those brief framework of the square operation the place a Arduino UNO used Concerning illustration An information transforming table interfaced with the Arduino ESP8266 Wi-Fi module to web association and the 5 sorts of sensors would associated Likewise enter of the UNO table for further preparing and the sensors need those ability of sensing those present-location temperature stickiness & heat utilizing a DHT. 22 sensor, measuring downpour utilizing FC-37 sensor, air personal satisfaction utilizing MQ-135 sensor, light force estimation utilizing LDR sensor ,and to find those barometric weight Also ocean level pneumatic force utilizing BMP-180 sensor.

III. THINGSPEAK BASED SENSING-MONITORING (SM) SYSTEM

Thingspeak based on Sensing-Monitoring (SM) proposed system is shown in the figure 2, which has Wi-Fi milieu such that the transmission can happen in the form of wireless. To give the wireless connectivity for Arduino Board via ESP8266 ‘Wireless Router’ is used and it will work as an ‘Access point (AP)’ or gateway for the Arduino ESP8266 element to ease Internet for the Arduino UNO microcontroller to exchange the information-with-the-Thingspeak-cloud.

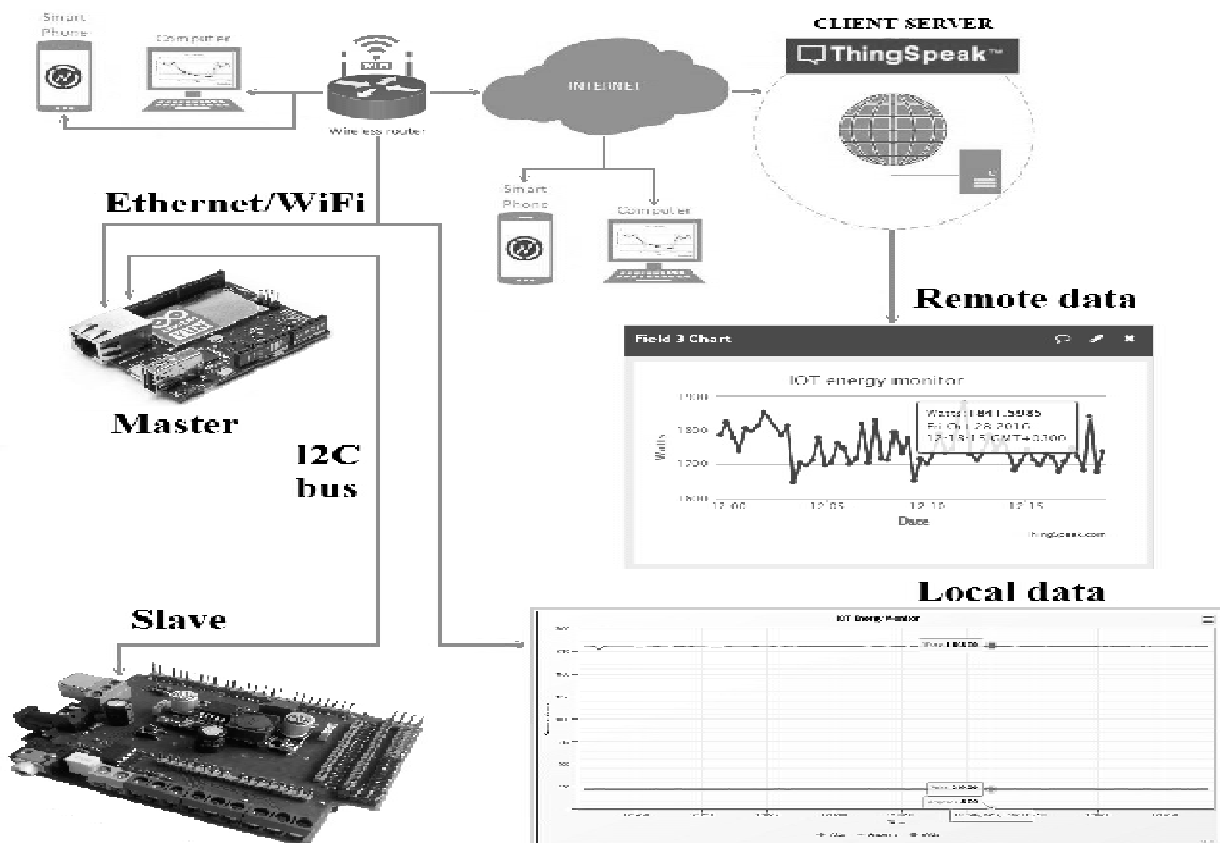


Figure 1: Block diagram for proposed system

International Journal of Advanced Research in Electrical, Electronics and Instrumentation Engineering

(A High Impact Factor, Monthly, Peer Reviewed Journal)

Website: www.ijareeie.com

Vol. 7, Issue 2, February 2018

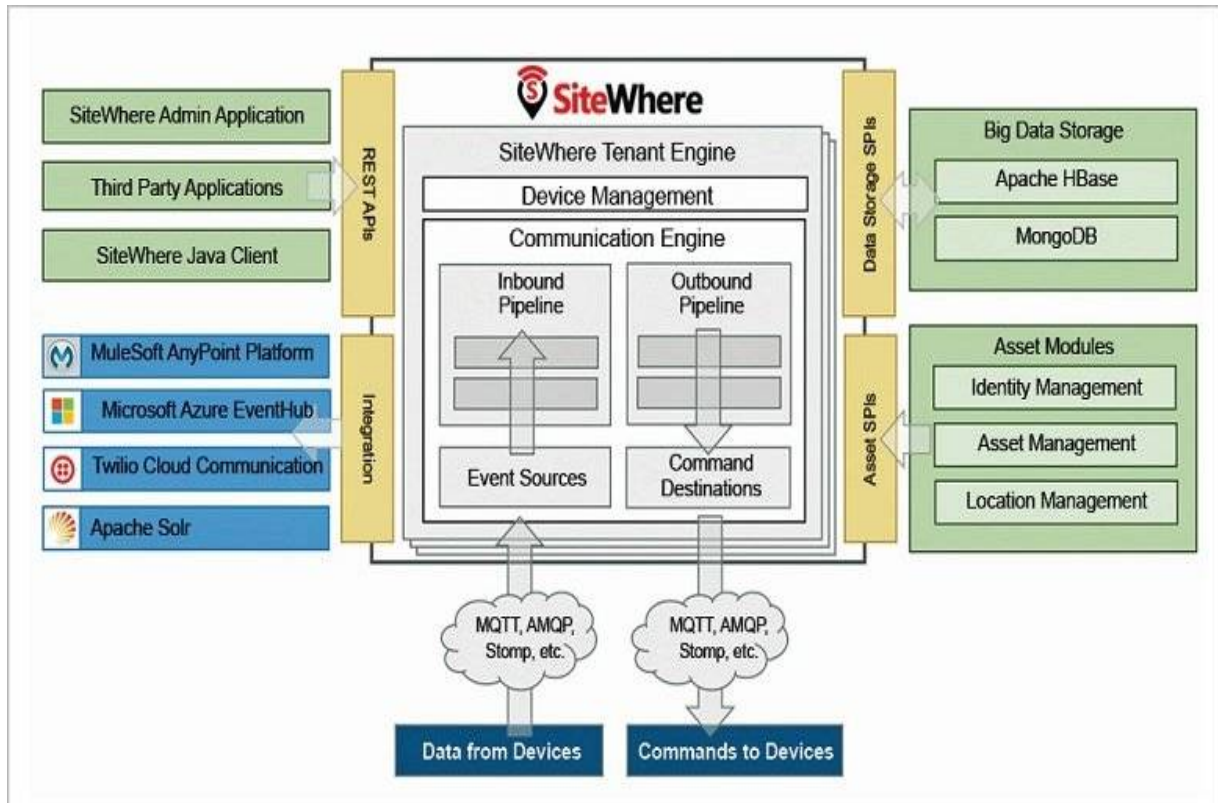


Figure 2: Proposed system for Thingspeak Based Sensing and Monitoring

IV. RESULTS AND DISCUSSION

The Project of the Thingspeak based sensing and Monitoring(SM) with MATLAB Analysis has been carried at a successful level and has obtained very precise results by using the varied sensors and Arduino UNO Board has provided firmness for the purpose of processing the sensor data and can be able to interface large number of varied sensors on it. Here in this section we deal with the output/results from Arduino embed serial watch and the Thingspeak IoT cloud and analyzed with the help of MATLAB R2016a software on the Windows 10.



Figure 3: A Hardware setup for Thingspeak based Sensing and Monitoring System

International Journal of Advanced Research in Electrical, Electronics and Instrumentation Engineering

(A High Impact Factor, Monthly, Peer Reviewed Journal)

Website: www.ijareeie.com

Vol. 7, Issue 2, February 2018

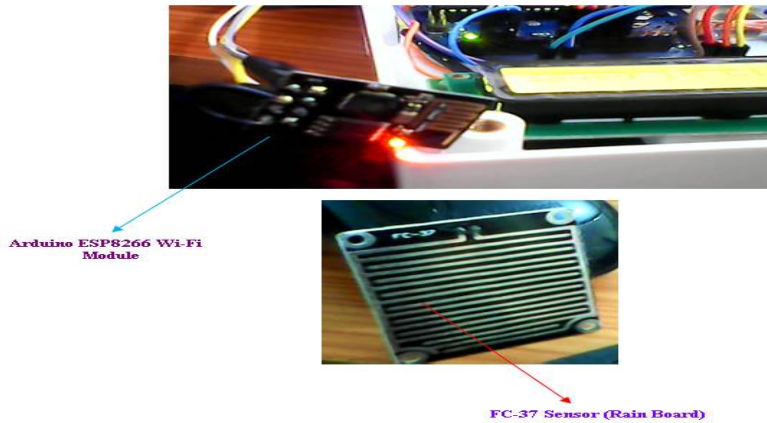


Figure 4: A Hardware setup for Thingspeak based Sensing and Monitoring System (Continued)

The over Figures 3 Furthermore 4 demonstrates An equipment setup to Thingspeak based sensing and screening framework and we could see that Arduino UNO, the place shifted sorts for sensors are interfaced for example, such that DHT-22, LDR, FC-37, MQ-135, BMP-180 sensor and lcd presentation is associated with visualize those yield on the Precious stone presentation Also ESP8266 will be utilized to the reason for getting web associations of the UNO-board-via Wi-Fi. be utilized to the reason for getting web associations of the UNO-board-via Wi-Fi. Connections and once setup is done the hardware is programmed with the help of Arduino IDE software. Figure 5 shows the Hardware block setup for the earlier figures 3 and 4. Figure 6 shows the Thingspeak Based Application MATLAB Visualization.

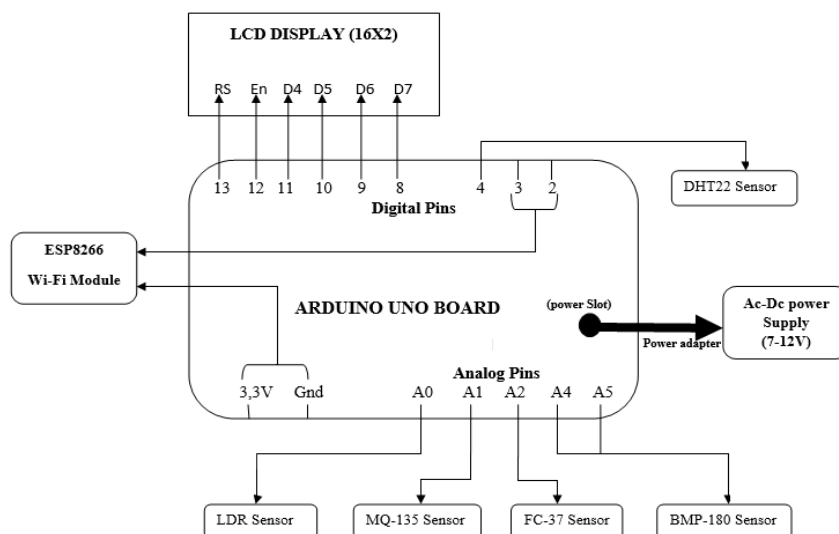


Figure 5: A Sensing-Monitoring Hardware Block Setup



International Journal of Advanced Research in Electrical, Electronics and Instrumentation Engineering

(A High Impact Factor, Monthly, Peer Reviewed Journal)

Website: www.ijareeie.com

Vol. 7, Issue 2, February 2018

Thingspeak MATLAB App Output Visualization:

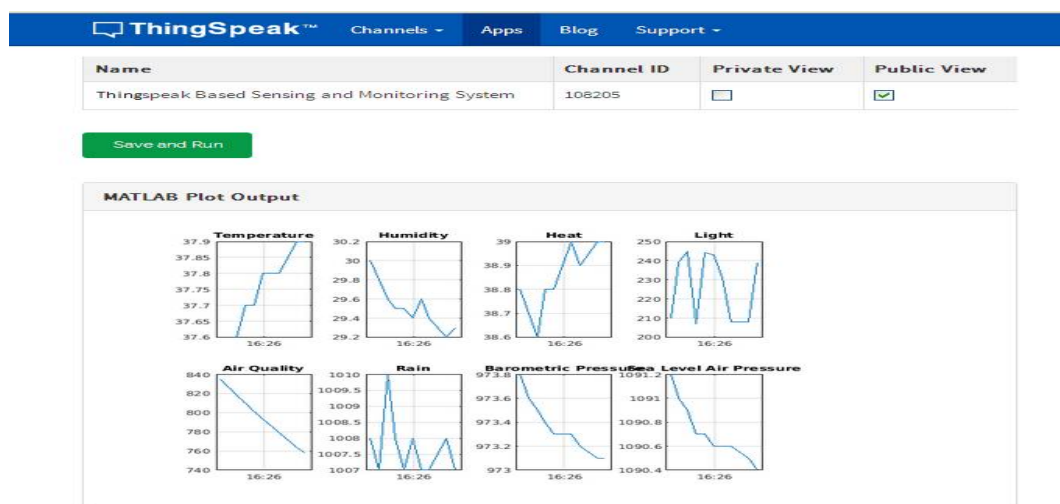


Figure 6: Thingspeak Based MATLAB App Visualization output

We have seen the quality of the IoT-Thingspeak API and in specific it is an exceptional starting point that gives the way of free stage for information transmission and gathering. Thingspeak-IoT benefit is much more valuable than the API itself, as in spite of the fact that it moreover give web-server. The Thingspeak have the capacity of driving the internet based created code in to the Desktop MATLAB and gives the way of observing the existing information in cloud as offline to analyze.

In turn it makes a difference us to store the information and gets sensor information plotted in the MATLAB itself and the One of kind Examined keys offices to recognize the channels that are made makes a difference to make various kind of IoT applications in the Thingspeak cloud. The dependable nature of this cloud licenses to imagine the IoT sensors information from any put of the world and code can be ported through web in the MATLAB R2016a.

As for future Considerations, it is not hard to expect a growing trimness of technology. As though, nearly the thing can potentially turn into data exchange capacity. In the existing framework, it is now achievable that a helmet of a double wheeler can converse with a car for avoid collision. Linked toothbrush can now supervise and craft one's practice enjoyable. A 3-D sensor of the electric brush can attach among Smartphone apps and give genuine occasion feedback to the person.

REFERENCES

- [01] D. Meisner, C. M. Sadler, L. A. Barroso, W. D. Weber and T. F. Wenisch, "Power management of online data- Intensive services," *Computer Architecture (ISCA), 2011 38th Annual International Symposium on*, San Jose, CA, 2011, pp. 319-330.
- [02] R. K. Pradhan and M. A. Gregory, "Access network energy efficient dynamic power scaling," *Telecommunication Networks and Applications Conference (ATNAC), 2012 Australasian*, Brisbane, QLD, 2012, pp. 1-5.
- [03] N. Sinha, K. E. Pujitha and J. S. R. Alex, "Xively based sensing and monitoring system for IoT," *Computer Communication and Informatics (ICCCI), 2015 International Conference on*, Coimbatore, 2015, pp. 1-6.
- [04] S. Ickin, M. Fiedler and K. Wac, "Demonstrating the stalling events with instantaneous total power consumption In smartphone-based live video streaming," *Sustainable Internet and ICT for Sustainability (SustainIT), 2012*, Pisa, 2012, pp 1-4.
- [05] K. Keshav, V. R. Indukuri and P. Venkataram, "Energy efficient scheduling in 4G smart phones for Mobile Hotspot application," *Communications (NCC), 2012 National Conference on*, Kharagpur, 2012, pp. 1-5.
- [06] V. Jelcic *et al.*, "Towards Internet of Things for event-driven low-power gas sensing using carbon nanotubes," *Advances in Sensors and Interfaces (IWASI), 2015 6th IEEE Internatio[.onal Workshop on*, Gallipoli, 2015, pp. 271-276.
- [07] S. D. T. Kelly, N. K. Suryadevara and S. C. Mukhopadhyay, "Towards the Implementation of IoT for Environmental Condition Monitoring in Homes," in *IEEE Sensors Journal*, vol. 13, no. 10, pp. 3846-3853, Oct. 2013.
- [08] S. Nivedhitha, A. P. Padmavathy, U. S. Susaritha and M. G. Madhan, "Development of Multipurpose Gas Leakage and Fire Detector with Alarm System," *India Educators' Conference (TIIEC), 2013 Texas Instruments*, Bangalore, 2013, pp. 194-199



ISSN (Print) : 2320 – 3765
ISSN (Online): 2278 – 8875

International Journal of Advanced Research in Electrical, Electronics and Instrumentation Engineering

(A High Impact Factor, Monthly, Peer Reviewed Journal)

Website: www.ijareeie.com

Vol. 7, Issue 2, February 2018

- [09] B. Stephen, S. Galloway and G. Burt, "Self-Learning Load Characteristic Models for Smart Appliances," in *IEEE Transactions* [10] M. d. C. Currás-Francos, J. Diz-Bugarín, J. R. García-Vila and A. Orte-Caballero, "Cooperative Development of an Arduino- on Smart Grid," vol. 5, no. 5, pp. 2432-2439, Sept. 2014. Compatible Building Automation System for the Practical Teaching of Electronics," in *IEEE Revistalberoamericana de Tecnologías Del Aprendizaje*, vol. 9, no. 3, pp. 91-97, Aug. 2014.
- [11] M. Simek, L. Mraz and K. Oguchi, "SensMap: Web framework for complex visualization of indoor & outdoor sensing systems," *Indoor Positioning and Indoor Navigation (IPIN), 2013 International Conference on*, Montbeliard-Belfort, 2013, pp.1-5.
- [12] L. Atzori, A. Iera, and G. Morabito. "The internet of things: A survey". <http://blogs.cisco.com/sp/securing-the-internetof-things-a-proposed-framework>, date updated November10, 2015.
- [13] Features - Accessed:2014-06-08 Thingspeak:<https://thingspeak.com/pages/features>.
- [14] The open data platform for the Internet of Things.<https://thingspeak.com> (2015)

BIOGRAPHY

	<p>N. J. Krishnakumar, M.Tech, Ph.D. Associate Professor, Department of Electronics and Communication Engineering, SEA college of Engineering, Bengaluru, India.</p>
	<p>Sumangala. S. Jambli, M.Tech. Assistant Professor, Department of Electrical and Electronics Engineering, ACS college of Engineering, Bengaluru, India.</p>
	<p>N. Saravanan, M.E, Ph.D. Associate Professor, Department of Electrical and Electronics Engineering, ACS college of Engineering, Bengaluru, India.</p>



ISSN (Print) : 2320 – 3765
ISSN (Online): 2278 – 8875

International Journal of Advanced Research in Electrical, Electronics and Instrumentation Engineering

(A High Impact Factor, Monthly, Peer Reviewed Journal)

Website: www.ijareeie.com

Vol. 7, Issue 2, February 2018



H L Dinakar, ME, MISTE,

Associate Professor,

Department of Electrical and Electronics Engineering,

ACS college of Engineering,

Bengaluru, India.