



Design and Analysis of CMOS and Adiabatic logic using 1:16 Multiplexer and 16:1 Demultiplexer

K.Anitha¹, R.Jayachitra²

PG Student [EST], Dept. of EEE, Arunai Engineering College, Thiruvannamalai, Tamilnadu, India¹

Assistant professor, Dept. of EEE, Arunai Engineering College, Thiruvannamalai, Tamilnadu, India²

ABSTRACT: Conventional CMOS is compared with two adiabatic logic styles namely Efficient Charge Recovery Logic (ECRL) and Improved Efficient Charge Recovery Logic (IECRL). A 16:1 multiplexer and 1:16 demultiplexer using these design techniques are designed and results are compared based on their minimum/maximum power consumption and transistor count. The proposed schematics multiplexer and demultiplexer are simulated using MICROWIND2 and DSCH2 software.

KEYWORDS: ECRL, IECRL, Adiabatic

I. INTRODUCTION

During recent years the main and highly concerned issue in the low power VLSI design is energy/power dissipation. This is due to the increasing demand of portable systems and the need to limit the power consumption in VLSI chips. In conventional CMOS circuits, the basic approaches used for reducing power consumption are by reducing the supply voltages, on decreasing node capacitances and minimize the switching activities with efficient charge recovery logic. The adiabatic logic works on the principle of energy recovery logic and provides a way to reuse the energy stored in load capacitors rather than the conventional way of discharging the load capacitors to the ground and wasting this energy. The Power consumption is the major concern in low power VLSI design technology.

II. LITEARTURE SURVEY

William C. Athas et al [1] shown how combinational and sequential adiabatic-switching logic circuits may be constructed and describe timing restrictions required for adiabatic operation. The analyses and experiments presented are the first step towards understanding where adiabatic techniques can be practically used. Chandrakasan et al [2] presented the techniques for low power operation which use the lowest possible supply voltage coupled with architectural, logic style, circuit, and technology optimizations. These are variety of considerations are taken into account in low power design. Deepti Shinghal et al [3] examines different types of adiabatic logic families and shown that the adiabatic logic circuits provide a method of decreasing the energy dissipation when compared with conventional logic switching under certain circumstances. Konwar et al [4] designed a CMOS based new approach for low power adiabatic 8:1 Multiplexer and 1:8 Demultiplexer.

III. MOTIVATION

A. NEED FOR LOW POWER

The requirement for low power design has caused a large paradigm shift where energy dissipation has become as essential consideration as area and performance. Several factors have contributed to this trend. The need for low power devices has been increasing very quickly due to the portable devices such as laptops, mobile phones and battery operated devices such as calculator, wrist watches. These products always put a large attention on minimizing power in order to maximize their battery life. Another motive for low power is associated to the high end products. This is due to

International Journal of Advanced Research in Electrical, Electronics and Instrumentation Engineering

(An ISO 3297: 2007 Certified Organization)

Vol. 4, Issue 12, December 2015

the packaging and cooling of such high performance, high density and high power chips are prohibitively expensive. Another consideration low power design is related to the environment. The Micro electronics products become tolerable usage in everyday's life, their need on energy will sharply increase. Therefore the reduction in power consumption reduces the heat generated and so reduces the cost required for extra cooling systems in homes and office.

B. MULTIPLEXER

A multiplexer is a device which selects one of many input signals and forwards the selected input to the output. Block diagram of multiplexer is shown in figure 1. Multiplexers are mainly used connect many sources or devices with single destination or device. A Multiplexer is also known as data selector.

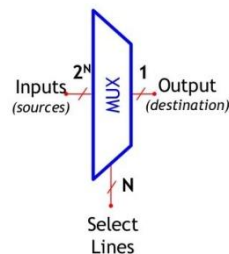


Fig 1: Block Diagram of Multiplexer

C. DEMULTIPLEXER

A demultiplexer is a device which has single input and many outputs. Demultiplexer is used to connect a single source to multiple destinations. Figure 2 shows the block diagram of demultiplexer. The multiplexer and demultiplexer work together to perform the process of transmission and reception of data in communication system. It performs the reverse operation of multiplexer. Both play an important role in communication systems.

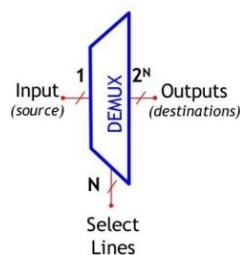


Fig 2: Block Diagram of Demultiplexer

D. CONVENTIONAL CMOS

Conventional CMOS designs consume a lot of energy during switching process. Two major sources of power dissipation in digital CMOS circuits are dynamic power and static power. Dynamic power is related to the changing events of logic states or circuit switching activities including power dissipation due to capacitance charging and discharging.

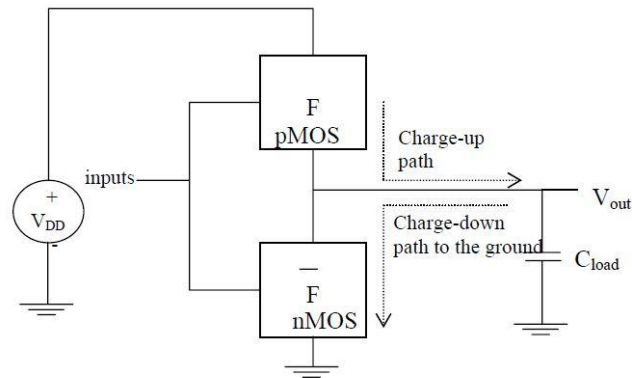


Fig 3: CMOS switching process

During device switching, power dissipation primarily occurs in conventional CMOS circuits as shown in figure (3). In CMOS logic design half of the power is dissipated in PMOS network and during the switching events, stored energy is dissipated during discharging process of output load capacitor. CMOS NAND gate is shown in the figure (4) which consists of 2 PMOS and 2NMOS devices.

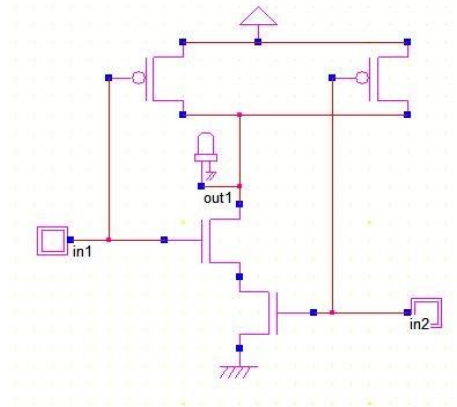


Fig 4: CMOS NAND gate

IV. ADIABATIC LOGIC CIRCUITS

A. OPERATION OF ADIABATIC LOGIC

The term adiabatic indicates the thermodynamics process which is used to describe a process with no transfer of heat with the environment. Hence the adiabatic logic structure effectively reduces the power dissipated in a circuit. The adiabatic switching technique can realize very low power dissipation. Figure (5) shows the adiabatic switching process. Adiabatic logic offers a method to use the energy stored in load capacitors compared to the traditional method of discharging load capacitor to the ground and this energy is wasted. Thus, the term adiabatic logic implements reversible logic and used in low-power VLSI circuits.

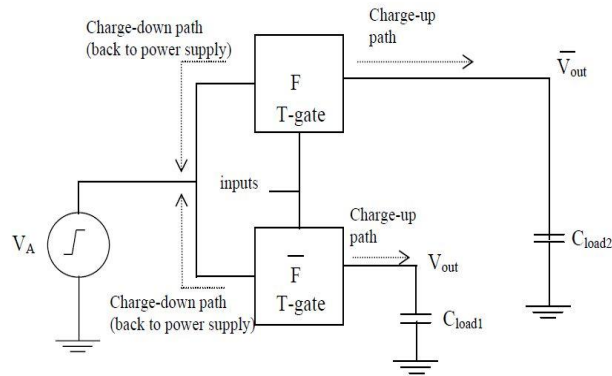


Fig 5: Adiabatic Switching Process

B. EFFICIENT CHARGE RECOVERY LOGIC (ECRL)

ECRL consists of two cross coupled PMOS transistors and two N-functional blocks for ECRL adiabatic logic block. Both out and out bar are generated. Energy dissipation is reduced to a large extent in ECRL logic by performing the precharge and evaluation phase simultaneously.

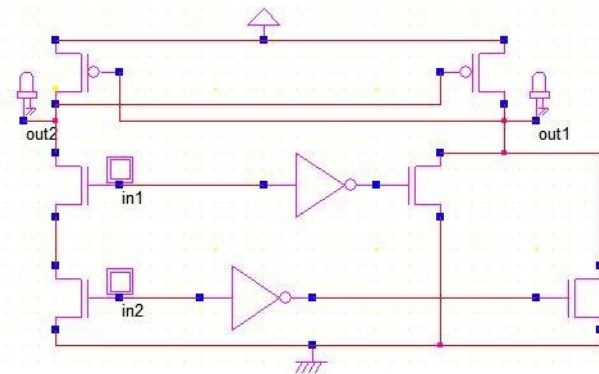


Fig 6: ECRL NAND gate

ECRL dissipates less energy than other adiabatic logics by eliminating the precharge diodes. It consists of only two PMOS switches. It provides full swing at the output. The basic structure of ECRL logic is similar to the Differential Cascode Voltage Switch Logic (DCVSL) with differential signaling. Figure (6) shows the ECRL NAND gate. A major disadvantage of ECRL circuit is that the coupling effects due to the two outputs are connected by the PMOS latch and the two complementary outputs can interfere with each other.

C. IMPROVED EFFICIENT CHARGE RECOVERY LOGIC (IECRL)

IECRL consists of a pair of cross coupled PMOS device and two N-functional blocks. In IECRL, delay has been improved by adding a pair of cross coupled NMOS devices in the ECRL design. The basic structure of IECRL is similar to the Modified Differential Cascode Voltage Switch Logic (MDCVSL) with differential signaling. Figure (7) shows the IECRL NAND gate. The IECRL logic is the improved ECRL logic. The performance of IECRL is better than the ECRL logic even though the number of transistors is higher than the ECRL logic. The main advantage of IECRL logic is that it consists of a pair of cross coupled NMOS devices to improve the performance of ECRL logic.

International Journal of Advanced Research in Electrical, Electronics and Instrumentation Engineering

(An ISO 3297: 2007 Certified Organization)

Vol. 4, Issue 12, December 2015

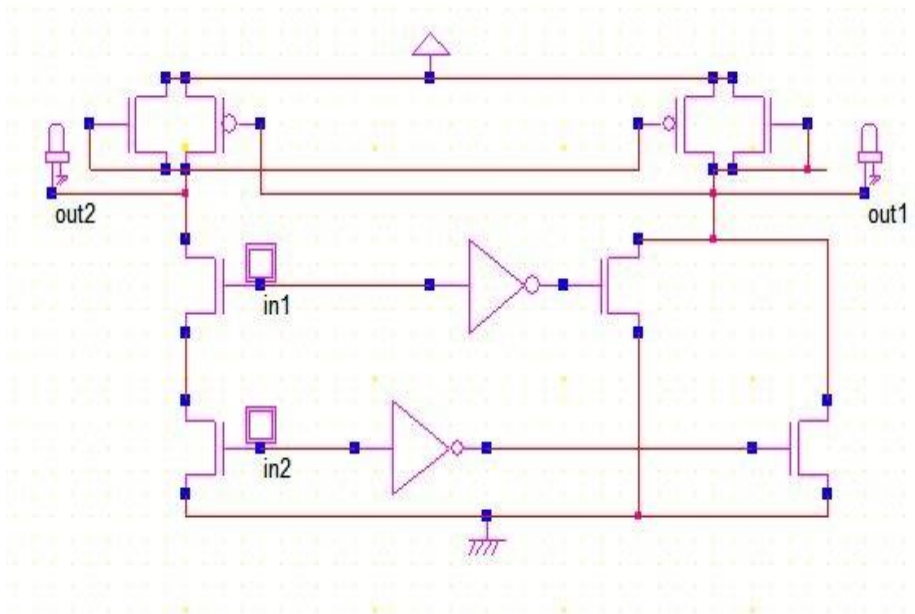


Fig 7: IECRL NAND gate

V. DESIGN AND ANALYSIS OF PROPOSED CIRCUITS

A 16:1 multiplexer and 1:16 demultiplexer are designed using adiabatic techniques namely ECRL and IECRL which shows reduce in power dissipation compared to the conventional CMOS logic. The proposed circuit and layout for combinational circuits has been designed in microwind2 version tool and DSCH2 software. The DSCH2 and Microwind2 are user friendly PC tools for the design and simulation of CMOS integrated circuits. The schematic diagram of all proposed circuits is designed in DSCH software. Using DSCH2 verilog file is generated for schematic diagram of all logic operation. By compiling this verilog file in microwind2, the CMOS layout of the schematic diagram is generated. This layout is simulated in microwind2 to observe the power dissipation of the circuit.

A. 16:1 MULTIPLEXER

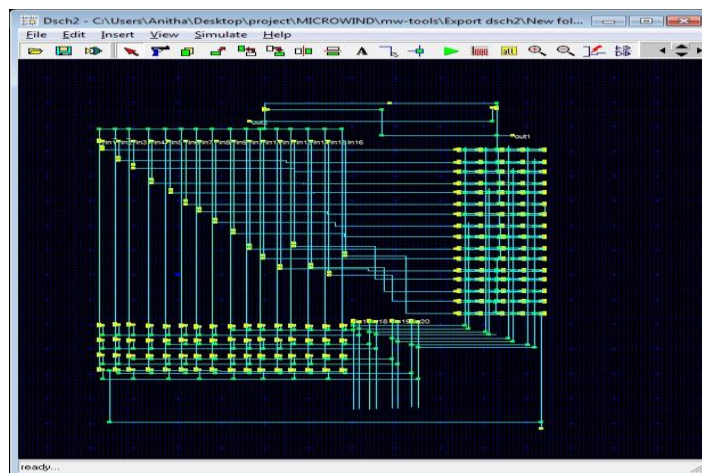


Fig 9: Design of 16:1 Multiplexer Using ECRL Logic

International Journal of Advanced Research in Electrical, Electronics and Instrumentation Engineering

(An ISO 3297: 2007 Certified Organization)

Vol. 4, Issue 12, December 2015

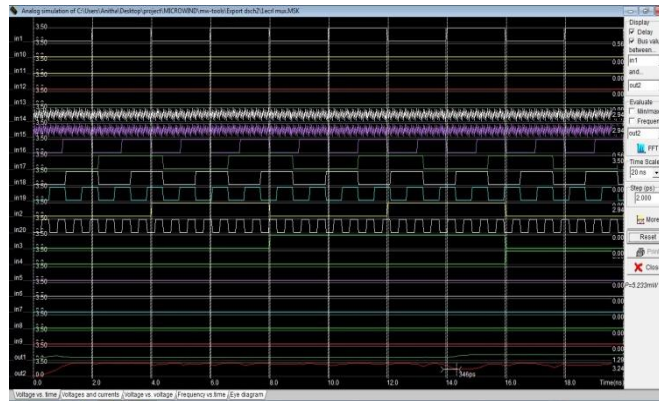


Fig 10: Simulation Output of 16:1 Multiplexer Using ECRL Logic

Figure (9) and (10) shows the 16:1 multiplexer design using ECRL and its simulation result respectively. The power dissipation of this circuit is 5.233 mW and number of transistors used in 16:1 multiplexer design using ECRL is 162.

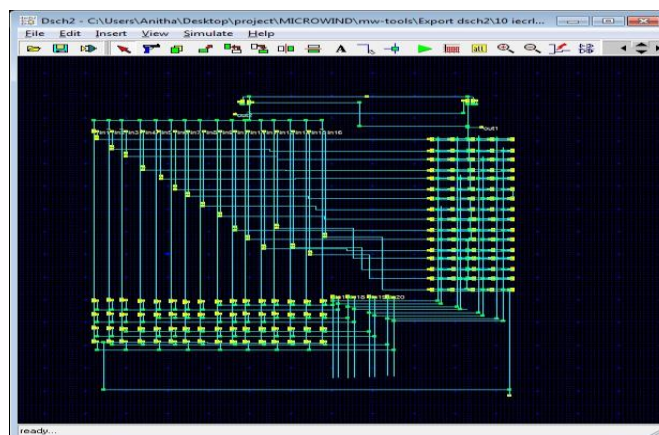


Fig 11: Design of 16:1 Multiplexer Using IECRL Logic

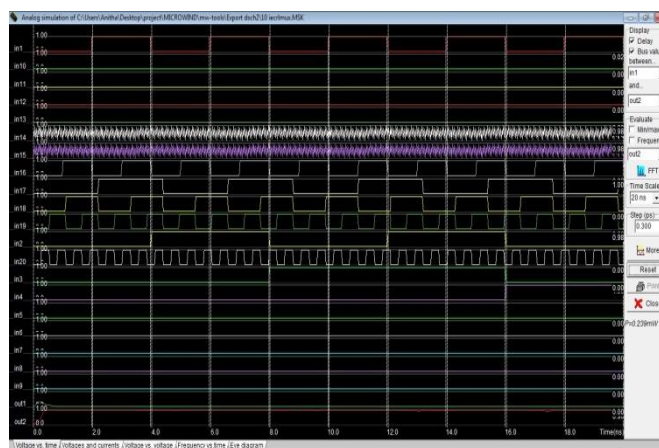


Fig 12: Simulation Output of 16:1 Multiplexer Using IECRL Logic

Figure (11) and (12) shows the 16:1 multiplexer design using IECRL and its simulation result respectively. The power dissipation of this circuit is 0.239 mW and number of transistors used in this circuit is 164.

International Journal of Advanced Research in Electrical, Electronics and Instrumentation Engineering

(An ISO 3297: 2007 Certified Organization)

Vol. 4, Issue 12, December 2015

B. 1:16 DEMULTIPLEXER

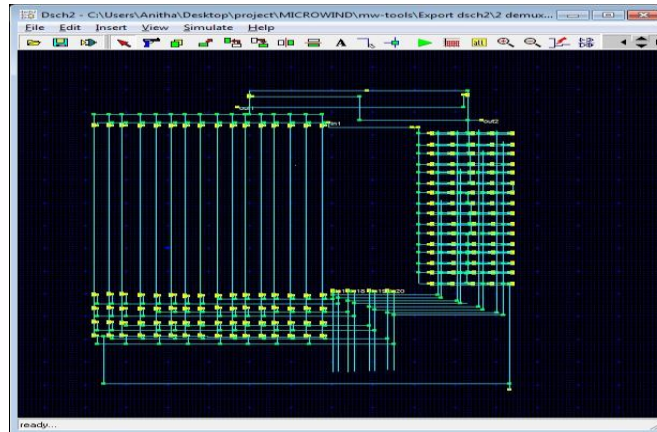


Fig 13: Design of 1:16 Demultiplexer Using ECRL Logic

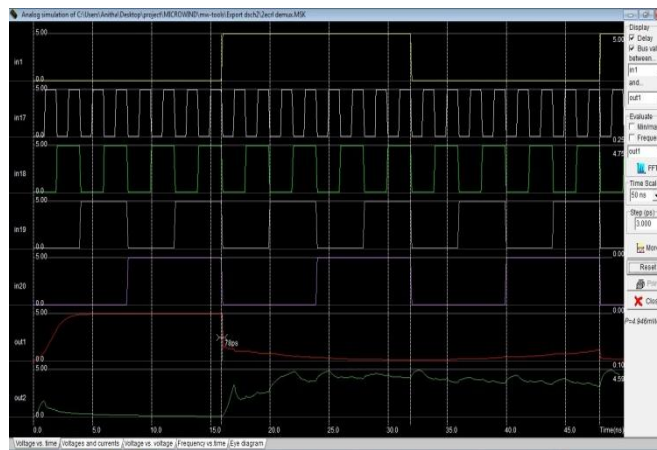


Fig 14: Simulation Output of 1:16 Demultiplexer Using ECRL Logic

Figure (13) and (14) shows the 1:16 demultiplexer design using ECRL and its simulation result respectively. The power dissipation of this circuit is 4.946 mW and number of transistors used in this circuit is 162.

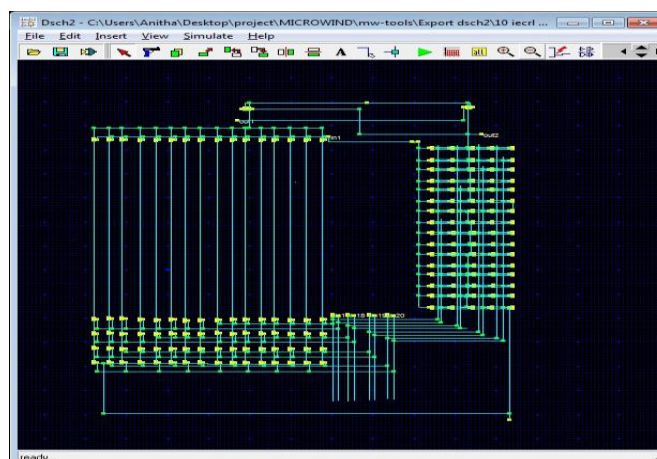


Fig 15: Design of 1:16 Demultiplexer Using IECRL Logic

International Journal of Advanced Research in Electrical, Electronics and Instrumentation Engineering

(An ISO 3297: 2007 Certified Organization)

Vol. 4, Issue 12, December 2015

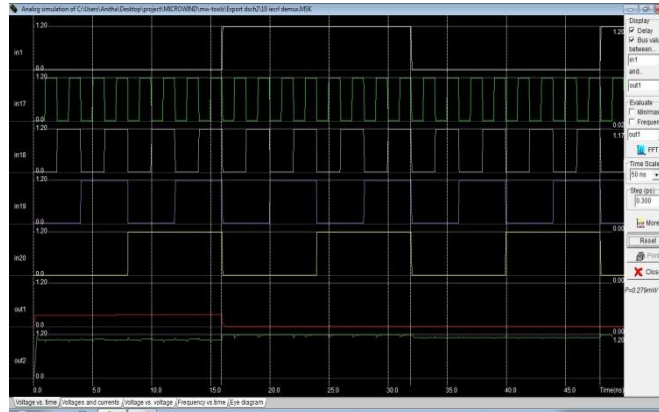


Fig 16: Simulation Result of 1:16 Demultiplexer Using IECRL Logic

Figure (15) and (16) shows the 1:16 demultiplexer design using IECRL and its simulation result respectively. The power dissipation of this circuit is 0.279 mW and number of transistors used in this circuit is 164.

VI. COMPARATIVE ANALYSIS OF SIMULATION RESULTS

The simulation results are compared based on the power dissipation of the proposed circuits and their transistor count with conventional CMOS logic design. The comparison makes easier to analysis the adiabatic logic circuits based on the power dissipation. The analysis shows that the designs based on adiabatic technique offers significant power reduction which provides better power performance over conventional CMOS circuits.

Technology	Power dissipation (mW)	Number of Transistors
Conventional CMOS	14.196	192
ECRL	5.233	162
IECRL	0.239	164

Table 1: Comparison of 16:1 Multiplexer Using Different Logics

Technology	Power dissipation (mW)	Number of Transistors
Conventional CMOS	13.105	160
ECRL	4.946	162
IECRL	0.279	164

Table 2: Comparison of 1:16 Demultiplexer Using Different Logics

VII. CONCLUSION

The proposed combinational circuits primarily focus on lowering the power dissipation. Logics for 16:1 multiplexer and 1:16 demultiplexer are designed and the results indicate that they have lesser power dissipation than



International Journal of Advanced Research in Electrical, Electronics and Instrumentation Engineering

(An ISO 3297: 2007 Certified Organization)

Vol. 4, Issue 12, December 2015

conventional CMOS circuits. The power dissipation in conventional CMOS circuits is minimized through adiabatic technique. Adiabatic logic works with the idea of switching activities which reduces the power by offering back the stored energy to the supply. The proposed circuits using ECRL and IECRL are compared with conventional CMOS logic for the 16:1 multiplexer and 1:16 demultiplexer. It is observed that the adiabatic technique is good choice for low power application. From the analysis IECRL logic shows significant energy saving compared with conventional CMOS logic and ECRL logic. The future scope of this work is that the proposed 16:1 multiplexers and 1:16 demultiplexers can be cascaded to construct multiplexers and demultiplexers along more number of inputs and output lines.

REFERENCES

- [1] William C. Athas, Lars "J." Svensson, Jeffrey G. Koller, Nestoras Tzartzanis, and Eric Ying-Chin Chou, "Low-Power Digital Systems Based on Adiabatic switching Principles" IEEE Transactions on Very Large Scale Integration Systems, VOL. 2, NO. 4, DECEMBER 1994.
- [2] A.Chandrakasan, S. Sheng and R. Brodersen, "Low-power CMOS digital design," IEEE Journal of Solid State Circuits, Vol. 27, No 4, pp. 473-484, April 1992.
- [3] Deepti Shinghal, Amit Saxena and Arti Noor, "Adiabatic Logic Circuits: A Retrospect" MIT International Journal of Electronics and Communication Engineering, Vol. 3, No. 2, pp. 108-114, 2013.
- [4] Shruti Konwar, Thockchom Birjit Singha, Soumik Roy, Reginald H. Vanlalchaka "Adiabatic logic based low power multiplexer and demultiplexer" Computer Communication and Informatics (ICCCI), 2014 International Conference Page(s): 1-5, Jan. 2014.
- [5] Manasvi Pandey & Darpan Sibbal, "Mux and Demux and Their Uses in Telephone Lines", International Journal of Research, Vol-1, Issue-10, 2014.
- [6] Anu Priya and Amrita Rai, "Adiabatic Technique for Power Efficient Logic Circuit Design", IJECT, Vol. 5, Issue Spl-1, Jan - March 2014.
- [7] Shruti Konwar, Thockchom Birjit Singha, Soumik Roy, Reginald H. Vanlalchaka, "Adiabatic Logic Based Low Power Multiplexer and Demultiplexer", 2014 International Conference on Computer Communication and Informatics (ICCCI -2014), Jan. 03 - 05, 2014.
- [8] Abdhesh Kumar Jha and Anshul Jain, "Comparative Analysis of Demultiplexer using Different Logic Styles", International Journal for Scientific Research & Development, Vol. 2, Issue 12, 2015.
- [9] Bhakti Patel and Poonam Kadam, "Comparative Analysis of Adiabatic Logic Techniques", International Journal of Computer Applications, pp 20- 24, 2015.
- [10] Mohamed Azeem Hafeez and Aziz Mushthafa, "Analysis of Adiabatic Circuit Approach for Energy Recovery Logics", International Journal of Engineering Sciences & Research Technology, pp 702- 707, October, 2015.
- [11] Ms.Amrita Pahadia and Dr. Uma Rathore Bhatt, "Layout Design, Analysis and Implementation of Combinational and Sequential Circuits using Microwind" SSRG International Journal of VLSI & Signal Processing (SSRG-IJVSP), volume 2, Issue 4, pp 6-14, July-August 2015.
- [12] Saseendran T K and Rajesh Mehra, "Area and Power Efficient CMOS De-multiplexer Layout on 90nm Technology", International Journal of Scientific Research Engineering & Technology (IJSRET), EATHD-2015 Conference Proceeding, ISSN: 2278-0882, pp 14-15, March 2015.
- [13] Richa Singh, Prateek Raj Gautam, Anjali Sharma, "Energy Efficient Design of Multiplexer Using Adiabatic logic", Int. Journal of Electrical & Electronics Engg. Vol. 2, Spl. Issue 1, pp 104-107, 2015.